

BAXI



Luna Duo-tec MP+

SPARE PARTS CATALOGUE

- May 2016 -

HOW TO READ THE SPARE PARTS CATALOGUE

In the spare part catalogue, after the exploded diagrams, there are the components lists of the boilers; this is the meaning of the different columns:

Pos. Identification number of the component in the exploded diagram of the boiler.

Description Short description of the component.

Code BAXI S.p.A. code of the component.

Tab. XX XX is the exploded diagram number of the boiler taken into consideration.

From serial number Date (year and week) identifying the beginning of production of a component (taken from the serial number of the boiler).
e.g. 1201: year 2012 (1 identifies the decade 2010-2019; 2 identifies the year) – 01th week.
If the box is empty, the component is in use from the beginning of production of the boiler.

To serial number Date (year and week) identifying the end of production of a component (taken from the serial number of the boiler).
e.g. 1225: year 2012 (1 identifies the decade 2010-2019; 2 identifies the year) – 25th week.
If the box is empty, the component is still in use.

Interchangeable It identifies the interchangeability between the new component and the old one.
YES: components are interchangeable.
NO: components are not interchangeable.

TABELLA COLLEGAMENTO CODICE CALDAIA - ESPLOSO TABLEAU CONNECTION CODEX CHAUDIERE - VUE ECLATEE BOILERS CONNECTION BOARD - EXPLODED VIEW

BOILER CODE	BOILER DESCRIPTION	EXPLODED REF.
CODICE CALDAIA	DESCRIZIONE CALDAIA	RIF. ESPLOSO
CODIGO CALDERA	DESCRIPCION CALDERA	REF. EXPLOSIONADO
CODE CHAUDIÈRE	DESCRIPTION CHAUDIÈRE	RÉF. EXPLOSÉE
721343301	LUNA DUO-TEC MP+ 1.110	Tab 486
721342801	LUNA DUO-TEC MP+ 1.35	Tab 426
721342901	LUNA DUO-TEC MP+ 1.50	Tab 426
721343001	LUNA DUO-TEC MP+ 1.60	Tab 426
721343101	LUNA DUO-TEC MP+ 1.70	Tab 426
721343201	LUNA DUO-TEC MP+ 1.90	Tab 486

Luna Duo-tec MP+

25/07/2016

Pos	Code	Description code	721342801 1.35	721342901 1.50	721343001 1.60	721343101 1.70	721343201 1.90	721343301 1.110	To serial number	From serial number	Interchangeable:
2	710396900	LEFT LATERAL PLATE LUNA4 65kW				•					
2	710397200	LEFT LATERAL PLATE HT 45-55kW	•	•	•						
2	710451700	LEFT LATERAL PLATE HT85-100kW					•	•			
3	710396800	RIGHT LATERAL PLATE LUNA4 65kW				•					
3	710397100	RIGHT LATERAL PLATE HT45-55kW	•	•	•						
3	710451200	RIGHT LATERAL PLATE HT85-100kW					•	•			
4	710707200	FRONTAL PANEL LUNA4 HT	•	•	•	•					
4	710707300	FRONTAL PANEL LUNA4 HT ASS.					•	•			
10	5670520	FLUE CONNECTION ASS. 80/120	•	•	•	•					
10	710377600	FLUE CONNECTION ASS.D.110/160					•	•			
11	5410710	GASKET ADAPTOR	•	•	•	•					
11	710450600	GASKET FLUE LUNA4 HT					•	•			
12	5108690	PLATE BLANKING	•	•	•	•					
12	5116110	PLATE BLANKING 110					•	•			
13	5407400	SUCTION CAP GASKET	•	•	•	•					
13	5412420	GASKET - BLANKING PLATE 110					•	•			
18	710402000	MIXER MINI BICLAP D.24mm	•	•							
18	710402100	MIXER MINI BICLAP D.28mm			•						
18	710402200	MIXER BIG BICLAP D.30mm				•					
18	710461200	MIXER BIG BICLAP D.38mm					•				
18	710461300	MIXER BIG BICLAP D.34mm					•				
18	710718600	KIT GPL DUO-TEC MP 35-50	•	•							
18	710718700	KIT GPL DUO-TEC MP 60			•						
18	710718800	KIT GPL DUO-TEC MP 70				•					
18	710718900	KIT GPL DUO-TEC MP 90					•				
18	710719000	KIT GPL DUO-TEC MP 110					•				
22	710487100	FAN NRG 137					•	•			
22	710754100	FAN RG 148/1200	•	•	•	•					
27	710410600	COMBUSTION CHAMBER HT 85-100					•	•			
27	711349400	C FRAME LUNA4 HT 45-55KW	•	•	•						
27	711349500	C FRAME LUNA4 HT 65 KW				•					
29	711465600	REAR INSULAT. 180x16 ASSEMBLY					•	•			
29	711473200	REAR INSULATION	•	•	•	•					
30	5410730	INSULATION-BURNER FLANGE	•	•	•	•	•				
30	710464800	INSULATION BURNER FLANGE 100kW					•				
32	3626840	EXCHANGER DUOZ 85 Kw					•				
32	3626850	EXCHANGER DUOZ 100kW					•				
32	710387600	EXCHANGER CLASSIC 8/3 65kW				•					
32	710387700	EXCHANGER CLASSIC 6/2 55kW			•						
32	710388000	EXCHANGER CLASSIC 5/1 45kW	•	•							
34	5113650	PRIMARY EXCHANGER FIXING CLIP	•	•	•	•					
41	710401700	BURNER 45 Kw	•	•							

Luna Duo-tec MP+

25/07/2016

Pos	Code	Description code	721342801 1.35	721342901 1.50	721343001 1.60	72134101 1.70	721343201 1.90	721343301 1.110	To serial number	From serial number	Interchangeable:
41	710401800	BURNER 55 Kw			•						
41	710401900	BURNER 65 Kw				•					
41	710461000	BURNER 100 Kw					•				
41	710461100	BURNER 85 Kw					•				
49	5409280	TAP ADAPTOR					•	•			
49	5410880	FLUE TEST CAP	•	•	•	•					
59	8510970	IGNITION ELECTRODE CABLE	•	•	•	•	•	•			
63	710220000	ELECTRODE - IGNITION	•	•	•	•	•	•			
65	710220700	ELECTRODE - IONISATION	•	•	•	•	•	•			
70	710372600	PIPE R.R.LUNA4 HT 100kW						•	1611		
70	710391400	PIPE PUMP/EXCHANGER 65kW				•					
70	710391800	PIPE PUMP/EXCHANGER HT 45-55kW	•	•	•						
70	710423600	PIPE R.R.LUNA4 HT 85kW					•				
70	710423600	PIPE R.R.LUNA4 HT 85kW						•		1612	YES
71	3402290	GASKET G1					•				
71	5405000	SEALING WASHER - G1	•	•	•	•					
72	711590700	PUMP UPML 25/105 130PWM	•	•	•	•	•	•			
75	5409240	GROMMET - PIPE ASSY D.10	•	•	•	•	•	•			
91	5652030	DRAINING TAP	•	•	•	•	•	•			
92	710631800	SAFETY VALVE ASSEMBLY 4 BAR	•	•	•	•	•	•			
131	8435400	NTC SENSOR	•	•	•	•	•	•			
132	5402830	WASHER - SENSOR SEALING	•	•	•	•	•	•			
135	9950760	THERMOSTAT - LIMIT	•	•	•	•	•	•			
136	710372700	PIPE M.R.LUNA4 HT 100kW						•			
136	710391500	PIPE M.R.LUNA4 HT 65kW				•					
136	710391900	PIPE M.R.LUNA4 HT 55kW			•						
136	710392200	PIPE M.R.LUNA4 HT 45kW	•	•							
136	710423700	PIPE M.R.LUNA4 HT 85kW					•				
137	710372500	JOINT GAS VALVE G1"					•	•			
138	5400400	O-RING 28,24X2,62					•	•			
139	710391600	PIPE GAS VALVE/MIXER HT 65kW				•					
139	710488600	PIPE GAS LUNA4 HT 85kW					•				
139	710488700	PIPE GAS VALVE LUNA4 HT100kW						•			
139	710677600	PIPE GAS VALVE/MIXER HT 45kW	•	•							
139	710677700	PIPE GAS VALVE/MIXER HT 55kW			•						
140	3621240	GAS VALVE SIT SIGMA822 NOVAMIX					•	•			
140	710401600	GAS VALVE SIT SIGMA 848156 MM	•	•	•	•					
151	710018500	CONTROL PANEL COVER	•	•	•	•	•	•			
152	710036800	PANEL PLATE/DISPLAY ASSEMBLY	•	•	•	•	•	•			
153	710018200	TERMINAL BLOCK COVER	•	•	•	•	•	•			
154	711017600	PCB ASSEMBLY LMS14 35-65 Kw	•	•	•	•			1521		
154	711017700	PCB ASSEMBLY LMS14 85-100kW					•	•	1521		

Luna Duo-tec MP+

25/07/2016

Pos	Code	Description code	721342801 1.35	721342901 1.50	721343001 1.60	72134101 1.70	721343201 1.90	721343301 1.110	To serial number	From serial number	Interchangeable:
154	722213600	PCB ASSEMBLY LMS14 35-65 Kw	•	•	•	•				1522	YES
154	722213900	PCB ASSEMBLY LMS14 85-100kW					•	•		1522	YES
156	711250700	PCB AVS77 ASSEMBLY	•	•	•	•	•	•	1521		
156	722216600	PCB AVS77 ASSEMBLY	•	•	•	•	•	•		1522	YES
166	5688420	TERMINAL BLOCK ASSEMBLY 3,15A	•	•	•	•	•	•			
169	710547500	MANOMETER 0-4BAR L=1000	•	•	•	•	•	•			
174	710100400	7 PUSH BOTTON PANEL	•	•	•	•	•	•			
192	5404650	SEALING WASHER G 3/4	•	•	•	•					
242	8435270	NTC SENSOR	•	•	•	•	•	•			
259	710093300	BRAND BAXI					•	•			
259	710419300	BRAND BAXI	•	•	•	•					
285	710083600	COVER CLIP-IN	•	•	•	•	•	•			
340	710109100	PRESSURE SENSOR	•	•	•	•	•	•			
382	8511130	FLAME SENSING CABLE	•	•	•	•	•	•			
399	711427700	SAFETY THERMOSTAT 260°C	•	•	•	•	•	•			
408	3202930	COMBUSTION CHAMBER UPPER COVER	•	•	•	•	•				
408	710462800	FLANGE EXCHANGER LUNA4 HT100kW						•			
409	710624300	BURNER GASKET HT	•	•	•	•	•	•			
411	710185200	FLAME SENSING ELEC.GASKET	•	•	•	•	•	•			
415	631090	SIPHON ASSEMBLY	•	•	•	•					
415	711197100	2 WAYS CONDENSATE TRAP					•	•			
419	711405000	COMBUSTION CHAMBER GASKET	•	•	•	•	•	•			
423	3203020	CONNECTING ELEMENT					•	•			
428	5409290	GASKET	•	•	•	•	•	•			
432	5410850	FLUE SPIGOT GASKET	•	•	•	•					
432	710381300	GASKET FOR PIPE D.110					•	•			
434	710373400	CONDENSY COLL.LUNA4 HT 85-100					•	•			
434	710385700	CONDENSY COLL.LUNA4 HT 50-70	•	•	•	•					
435	5410860	AIR IN TAKE GASKET D.215	•	•	•	•					
435	710381000	GASKET FOR PIPE D.160					•	•			
438	5410480	GASKET	•	•	•	•					
445	710392600	PIPE CONDENSY- Y CONNECTOR	•	•	•	•					
445	710412100	PIPE EXCH/SYPHON LUNA4 HT100kW					•	•			
459	631100	JOINT ASSEMBLY PIPES	•	•	•	•					
459	710447600	DISCARGHE PIPE SYPHON					•	•			
511	5404600	O.R. 17,86x2,62	•	•	•	•					
514	710372400	JOINT EXCH.DUOZ FOR PIPE D.28						•			
514	710622600	JOINT EXCHANGER DUOZ G1					•				
525	8435220	ANSTOSS-ZAG 2V IGNITOR	•	•	•	•	•	•			
601	5408560	O-RING 8,73x1,78	•	•	•	•	•	•			
629	8420770	TERMINAL BOARD	•	•	•	•	•	•			
631	710391000	PIPE DEAREATION 55-65kW			•	•					

Luna Duo-tec MP+

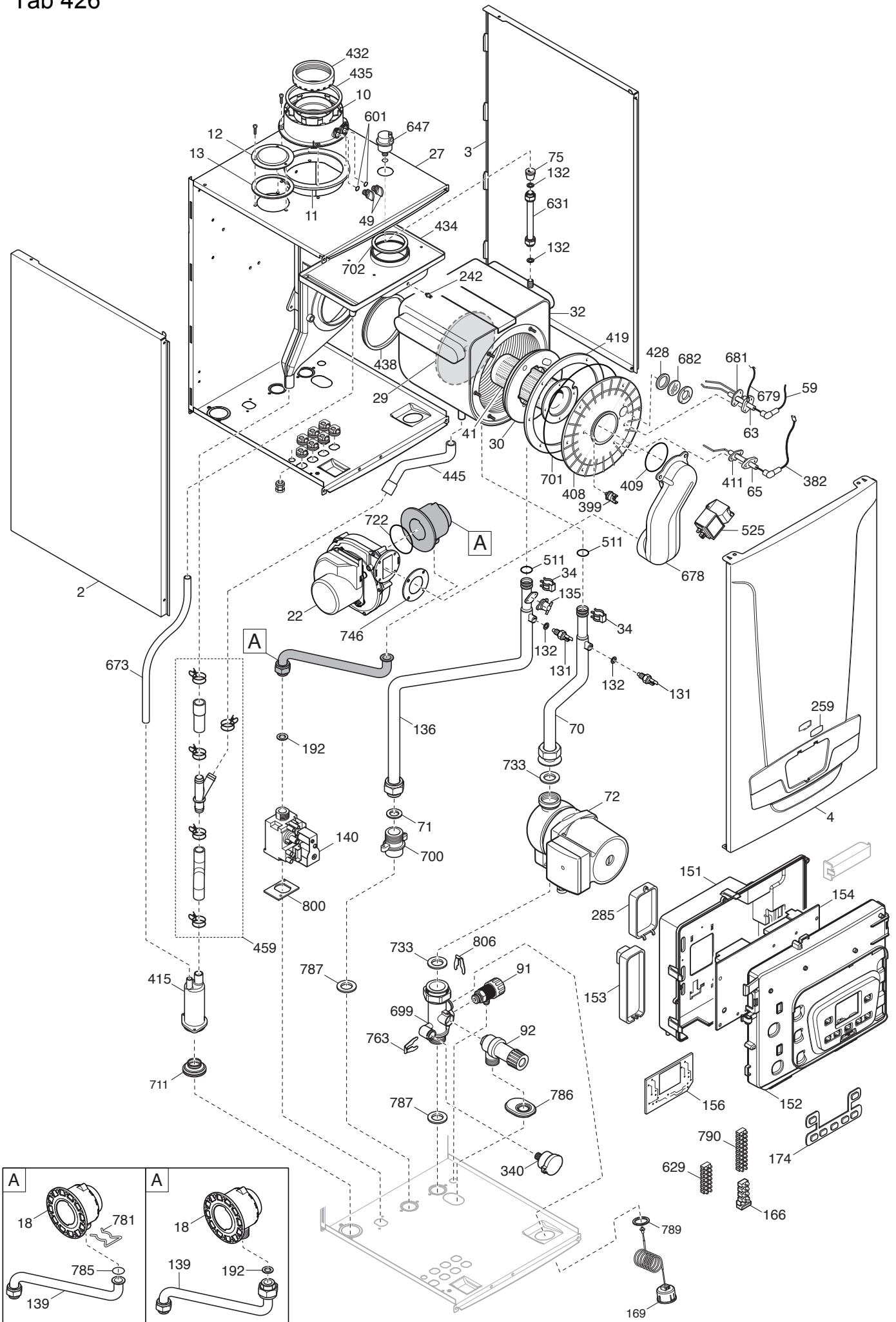
25/07/2016

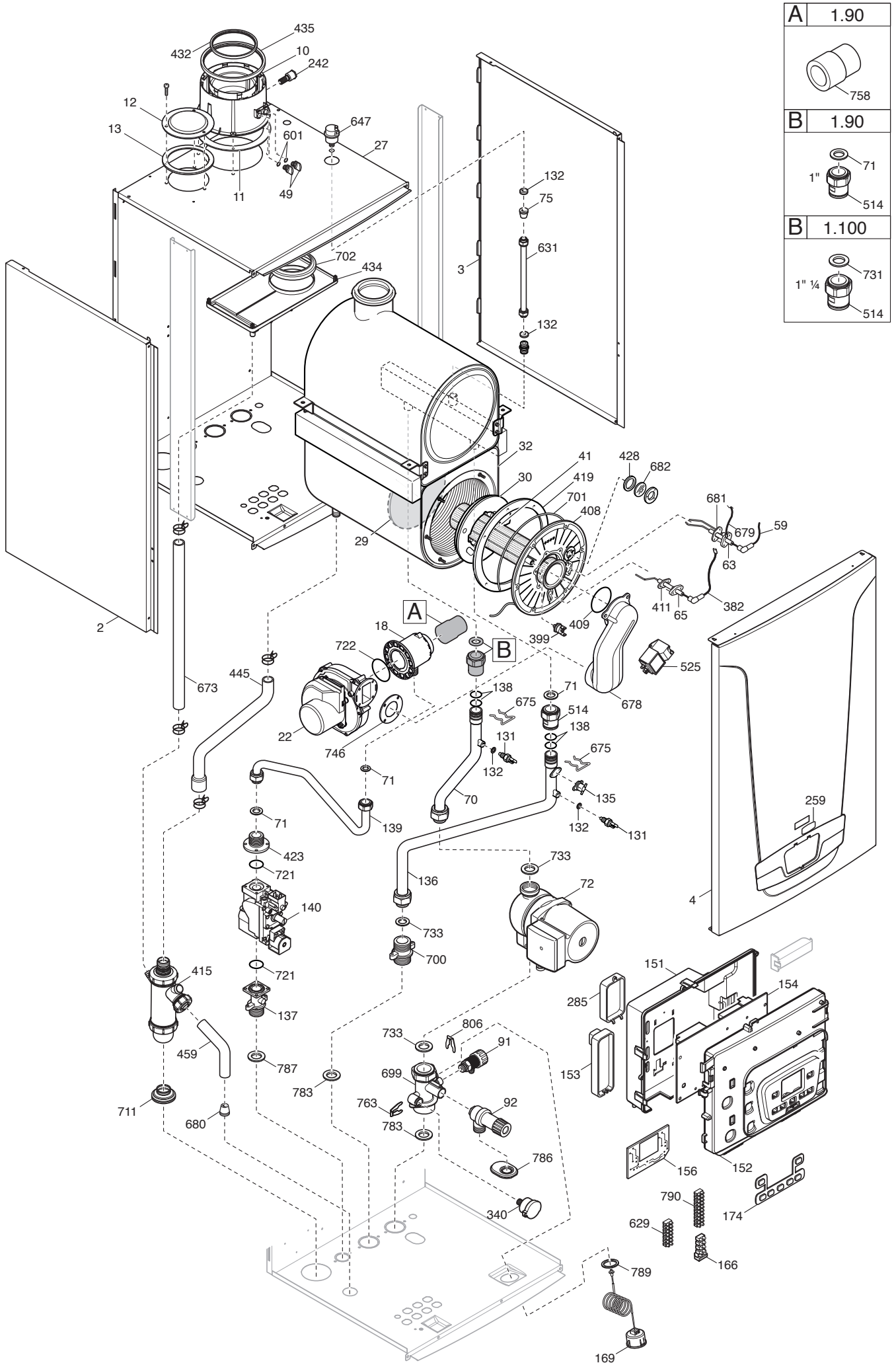
Pos	Code	Description code	721342801 1.35	721342901 1.50	721343001 1.60	721343101 1.70	721343201 1.90	721343301 1.110	To serial number	From serial number	Interchangeable:
631	710391100	PIPE DEAREATION 45kW	•	•							
631	710411900	PIPE DEAREATION LUNA4 HT 100kW						•			
631	710436700	PIPE DEAREATION LUNA4 HT 85kW					•				
647	5652730	AUTO AIR VENT	•	•	•	•	•	•			
673	710625700	PIPE CONDENSY/SYPHON L=580mm	•	•	•	•					
673	711197600	PIPE CONDENSY/SYPHON					•	•			
675	5116120	PRIMARY EXCHANGER FIXING CLIPS					•	•			
678	710386000	AIR GAS COLLECTOR LUNA4 HT	•	•	•	•	•	•			
679	8511150	EARTH/IGNITOR CABLE	•	•	•	•	•	•			
680	5409250	GROMMET-PIPE ASSY. D.15					•	•			
681	710185300	IGNITION ELECTRODE GASKET	•	•	•	•	•	•			
682	5211800	SIGHT GLASS	•	•	•	•	•	•			
699	710371700	R.R. GROUP G1-1/2"					•	•			
699	710386600	R.R. GROUP G1" LUNA4 HT	•	•	•	•					
700	710370600	NIPPLE G 1-1/2"					•	•			
700	710386800	NIPPLE G1"MM WITH SCREWS	•	•	•	•					
701	5212780	GASKET D.6	•	•	•	•	•	•			
702	5409270	AIR COLLECTOR GASKET D.70	•	•	•	•					
702	710373100	GASKET CONDENSY BOX					•	•			
711	710039600	SYPHON GASKET	•	•	•	•					
711	710440000	GASKET SYPHON LUNA4 HT1.90/110					•	•			
721	3400430	GAS VALVE O-RING (UPPER)					•	•			
722	3402100	O-RING 70X3	•	•	•	•	•	•			
731	3402200	GASKET 32X39X2						•			
733	5402140	GASKET G1 1/2 WRC	•	•	•	•	•	•			
746	5410900	VENTURI GASKET	•	•	•	•	•	•			
758	710755200	SILENCER					•				
763	710046700	CLIP FLAT d.12	•	•	•	•	•	•			
781	710011400	CLIP FIX GAS PIPE	•	•	•						
783	710445900	GASKET G 1 1/2" C.S.					•	•			
785	710061400	O RING GAS PIPE 18 X 3 NBR	•	•	•						
786	710387100	GASKET NIPP.SAFETY VALVE 3BAR	•	•	•	•	•	•			
787	710397800	GASKET G1"C.S.31X42X3	•	•	•	•	•	•			
789	710017200	GASKET MANOMETER	•	•	•	•	•	•			
790	710117900	TERMINAL BLOCK 10 PIN PA35	•	•	•	•	•	•			
800	710390600	GASKET GAS VALVE M-M	•	•	•	•					
806	5117880	CLIP d.10 BITRON	•	•	•	•	•	•			
999	8414620	POWER CABLE	•	•	•	•	•	•			
999	710038600	CABLE HMI/MAIN PCB	•	•	•	•	•	•			
999	710057600	CABLE POWER SUPPLY PCB	•	•	•	•	•	•			
999	710062800	CABLE QAAX5	•	•	•	•	•	•			
999	710066500	CABLE ROOM THERMOSTAT	•	•	•	•	•	•			

Luna Duo-tec MP+

25/07/2016

Pos	Code	Description code	721342801	721342901	721343001	72134101	721343201	721343301	To serial number	From serial number	Interchangeable:
			1.35	1.50	1.60	1.70	1.90	1.110			
999	710079700	CABLE NTC ADDED	•	•	•	•	•	•			
999	710103100	CABLE GROUND FRAME	•	•	•	•	•	•			
999	710267700	WIRING HARNESS NTC BOILER/EXT.	•	•	•	•	•	•			
999	710360700	CABLE PUMP/FAN PWM	•	•	•	•	•	•			
999	710365800	CABLE PCB/DETECTION ELECTRODE	•	•	•	•	•	•			
999	710439600	CABLE SENSORS MR-RR/FLUE THERM					•	•			
999	711217400	TH WIRING DUOZ EX.					•	•			
999	711426700	CABLE SAF.THERM/IGNIT/GAS VALV	•	•	•	•					
999	711426800	CABLE SAF.THERM/IGNIT/GAS VALV					•	•			
999	711603700	PUMP/FAN/TERM. BLOCK M3 CABLE	•	•	•	•	•	•			
999	711603900	CABLE PUMP/TERMINAL BLOCK M3	•	•	•	•	•	•			





A	1.90
 758	
B	1.90
 1" 71 514	
B	1.100
 1" 1/4 731 514	

BAXI

BAXI S.p.A.
Via Trozzetti, 20
36061 BASSANO DEL GRAPPA (VI)
ITALY
Tel. +390424517111
Telefax +390424517379
E-mail. service@baxi.it