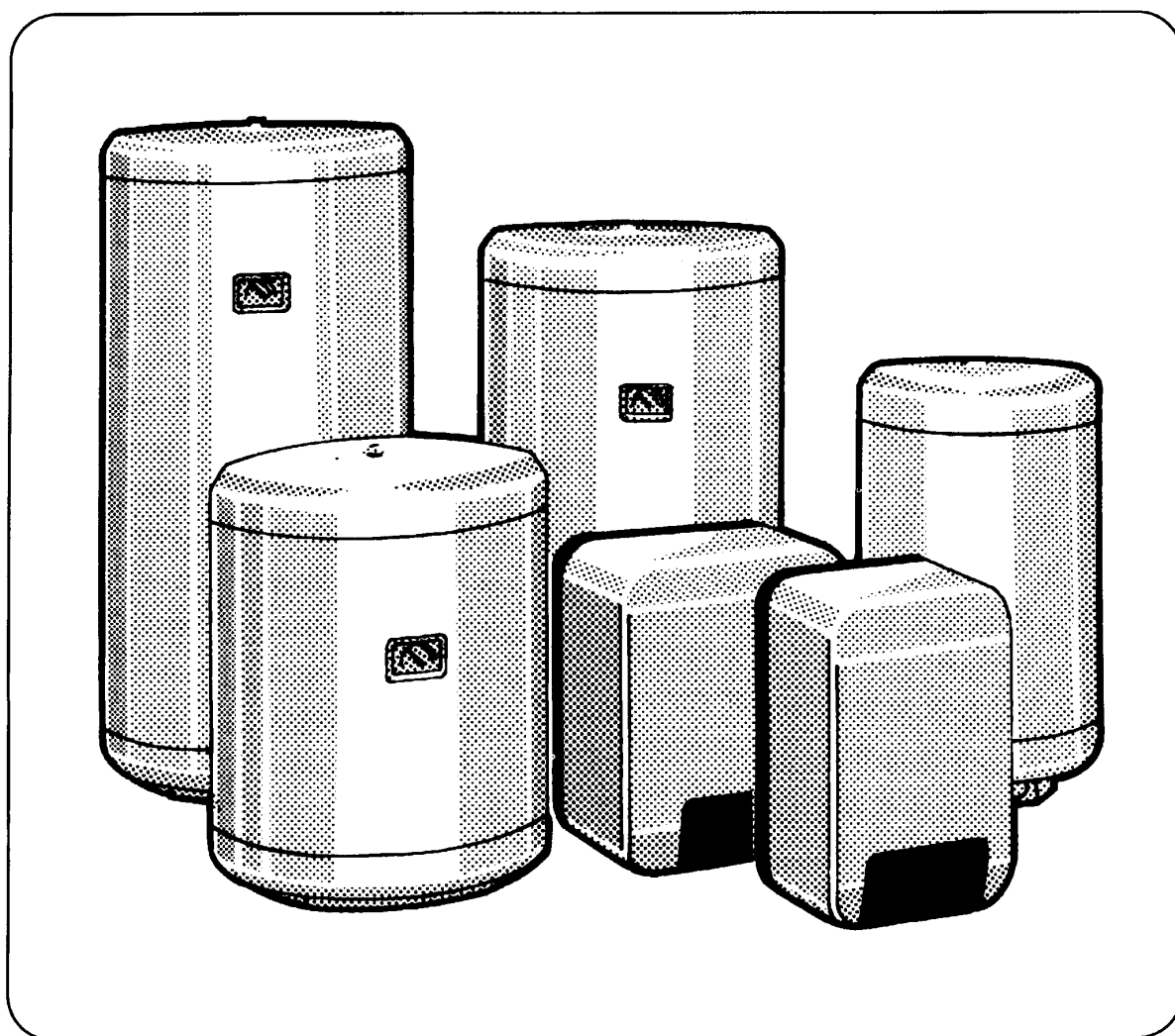


BAXI

ELECTRIC WATER HEATERS



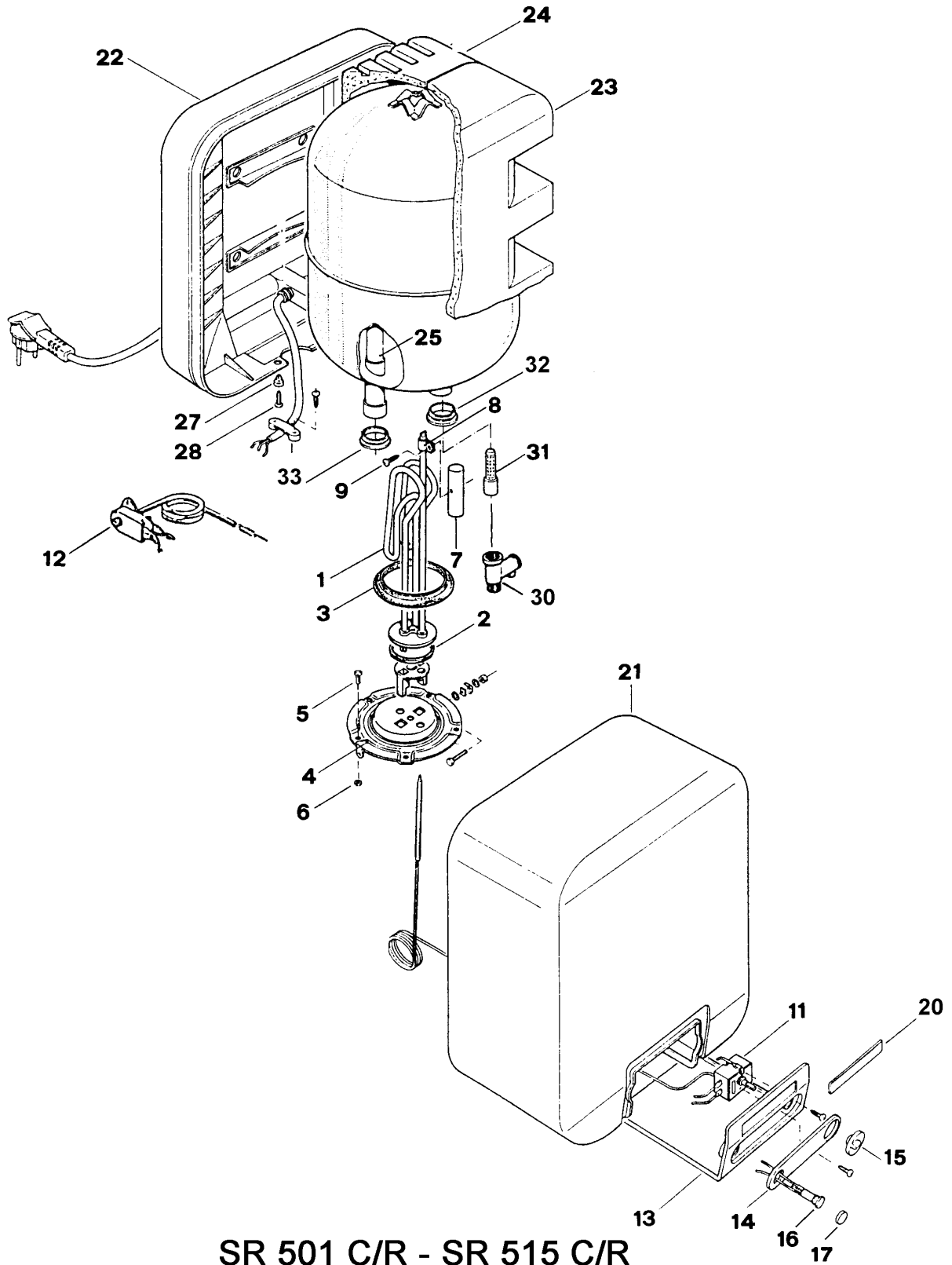
SPARE PARTS LIST

- Edition October 2001 -

| поз. на чертеж | Код | Наименование детали | Description | SR 501 C/R | SR 515 C/R | SR 501 | SR 515 | SR 501 C/R SL | SR 501 SL | SR 515 SL | SV 530 R | SV 530 | SV 550 | SV 580 | SV 510 | SO 580 | SO 510 | SV 550/R 15 | SV 580/R 15 | SV 510/R 15 |
|----------------|---------|---------------------------------------|----------------------------------|------------|------------|--------|--------|---------------|-----------|-----------|----------|--------|--------|--------|--------|--------|--------|-------------|-------------|-------------|
| 32 | 7214910 | кольцо голубое | BLUE RING | | | | | | | | ● | ● | ● | ● | ● | ● | ● | ● | ● | ● |
| 32 | 7222691 | кольцо голубое | BLUE RING | ● | ● | ● | ● | ● | ● | ● | | | | | | | | | | |
| 33 | 7214900 | кольцо красное | RED RING | | | | | | | | ● | ● | ● | ● | ● | ● | ● | ● | ● | ● |
| 33 | 7222701 | кольцо красное | RED RING | ● | ● | ● | ● | ● | ● | ● | | | | | | | | | | |
| 34 | 8313640 | прокладка анода D. 8,4 X 17 X 2 | ANODE WASHER | | | | | | | | | ● | ● | ● | ● | ● | ● | ● | ● | ● |
| 35 | 8920431 | прямоугольный термометр | RECTANGULAR THERMOMETER | | | | | | | | | ● | ● | ● | ● | ● | ● | | | |
| 35 | 8920441 | круглый термометр | ROUND THERMOMETER | | | | | | | | | | | | | | | ● | ● | ● |
| 40 | 7223630 | металлическое кольцо - прокладка | GASKET METAL RING | | | | | | | | | | | | ● | ● | | | | |
| - | 7220801 | кронштейн крепления к стене "А" | BRACKET "B" | ● | ● | | | ● | | | | | | | | | | | | |
| - | 7223681 | кронштейн крепления к стене "В" | BRACKET "A" | ● | ● | | | ● | | | | | | | | | | | | |
| - | 609410 | эмалиров. внутр. бак с термоизоляцией | VETRIFIED WATER TANK WITH INSUL. | ● | | ● | | ● | ● | ● | | | | | | | | | | |
| - | 609510 | эмалиров. внутр. бак с термоизоляцией | VETRIFIED WATER TANK WITH INSUL. | | ● | | ● | | | | | | | | | | | | | |
| - | 7208070 | оболочка трубки выхода горячей воды | OUTLET PIPE SHEATH | ● | ● | ● | ● | ● | ● | ● | ● | ● | ● | ● | ● | | | ● | ● | ● |
| - | 7212770 | оболочка трубки входа холодной воды | INLET PIPE SHEATH | | | | | | | | | | | | ● | ● | | | | |
| - | 7214891 | оболочка трубки выхода горячей воды | OUTLET PIPE SHEATH | | | | | | | | | | | | ● | ● | | | | |

Tav. n° 1
10 L - 15 L c/r
10 L - 15 L with adjustable thermostat

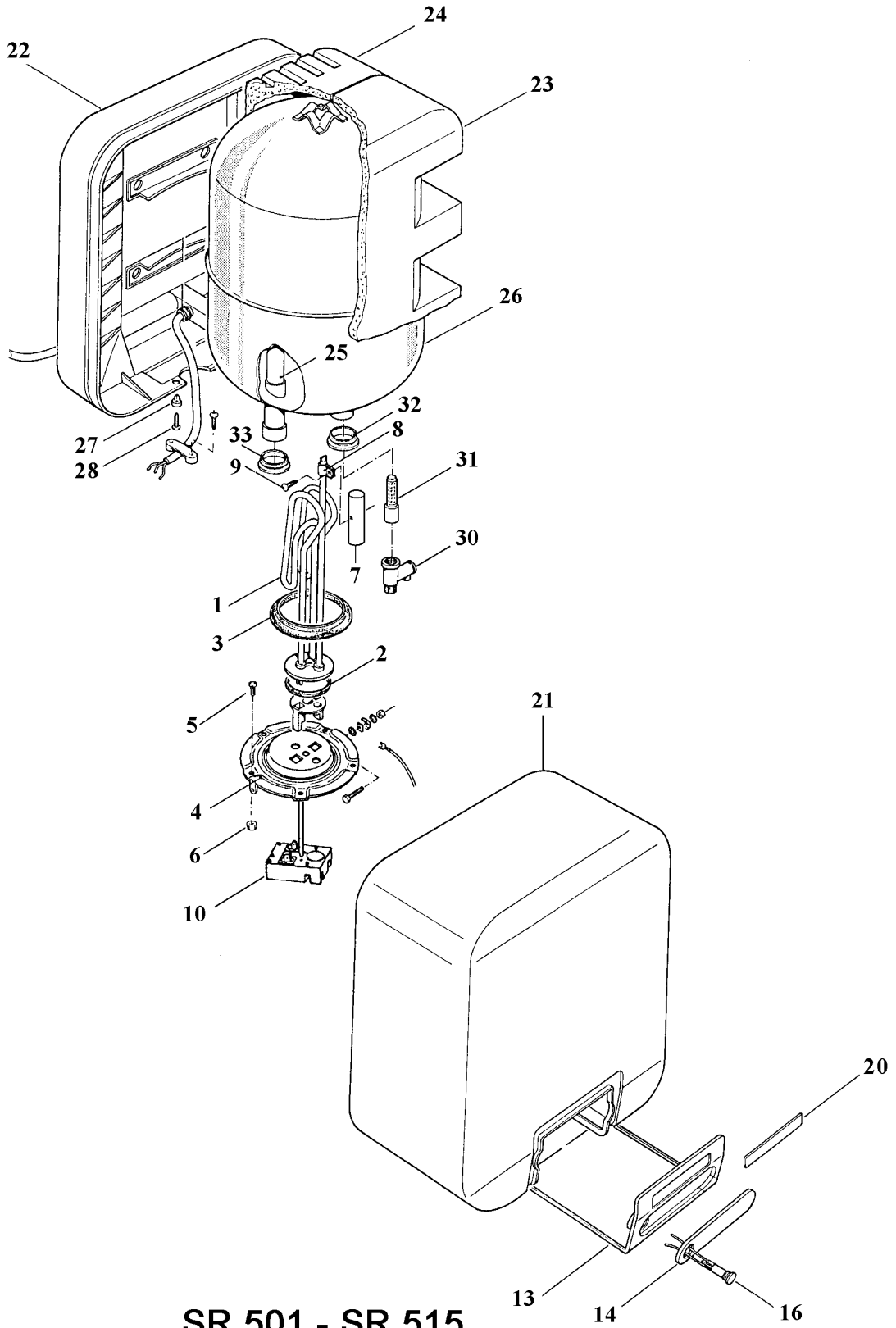
BAXI



SR 501 C/R - SR 515 C/R

Tav. n° 2
10 L - 15 L

BAXI



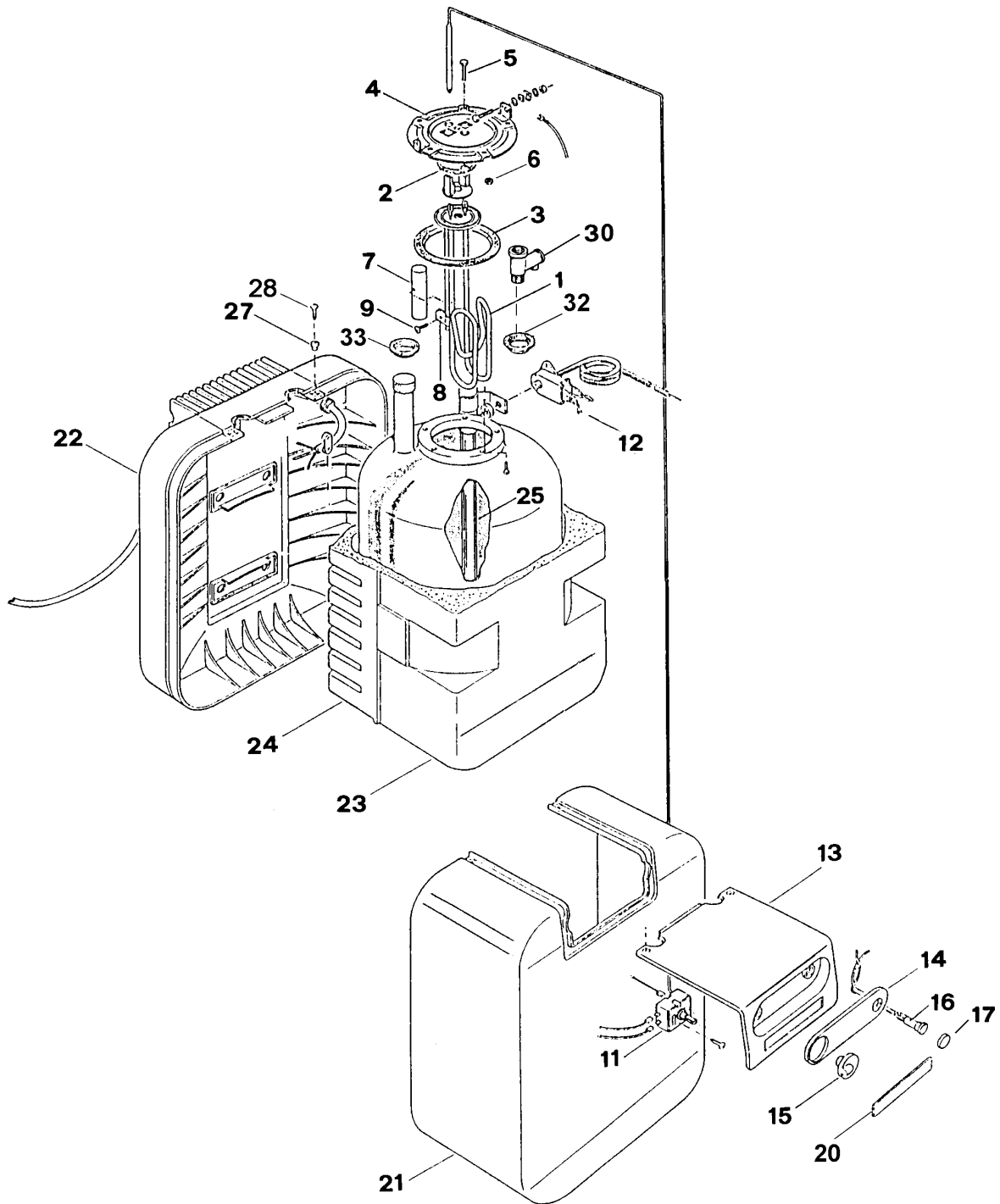
SR 501 - SR 515

Tav. n°3

10 L c/r sotto lavello

10 L with adjustable thermostat under sink

BAXI



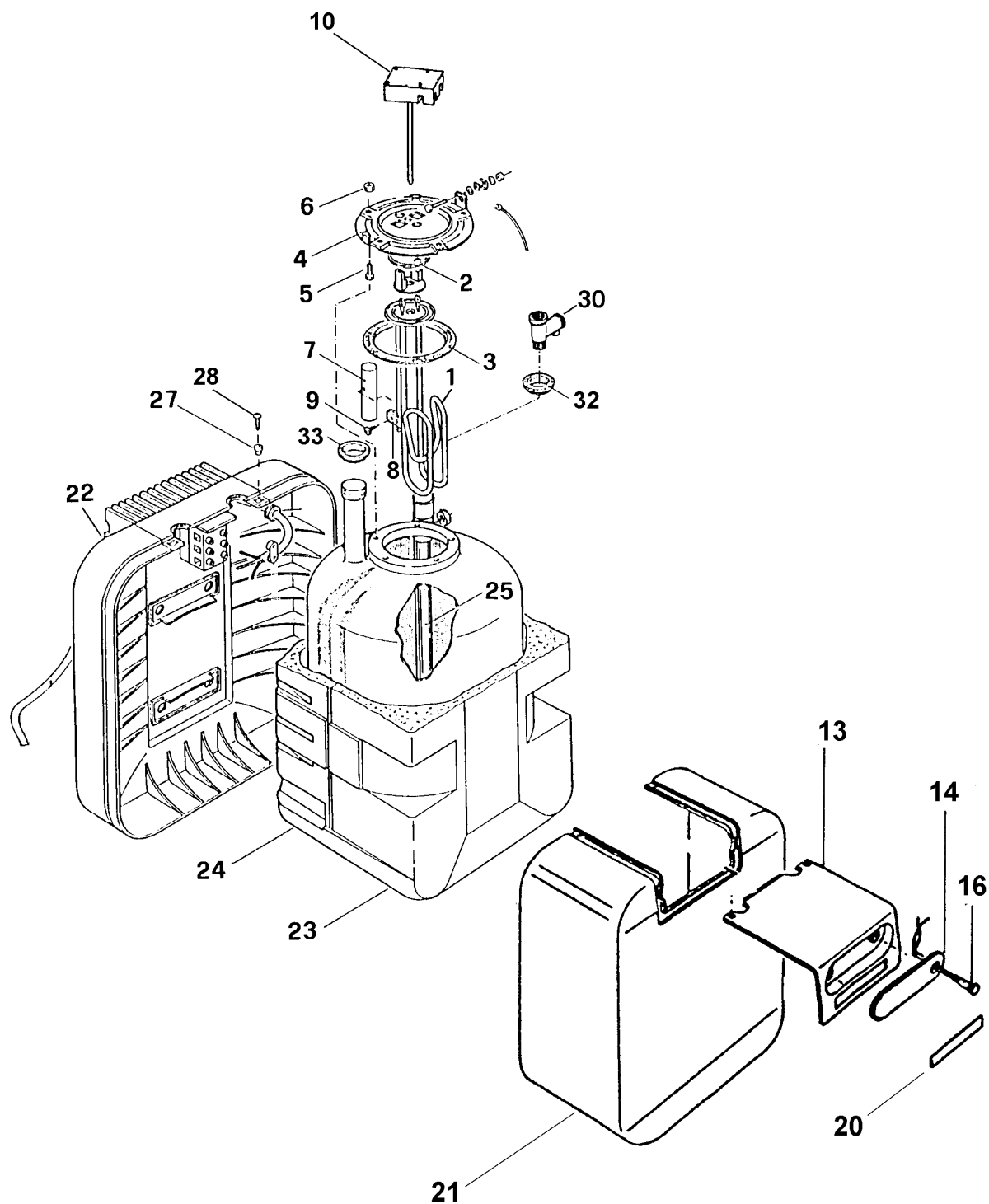
SR 501 C/R - SL

Tav. n°4

10 L - 15 L sotto lavello

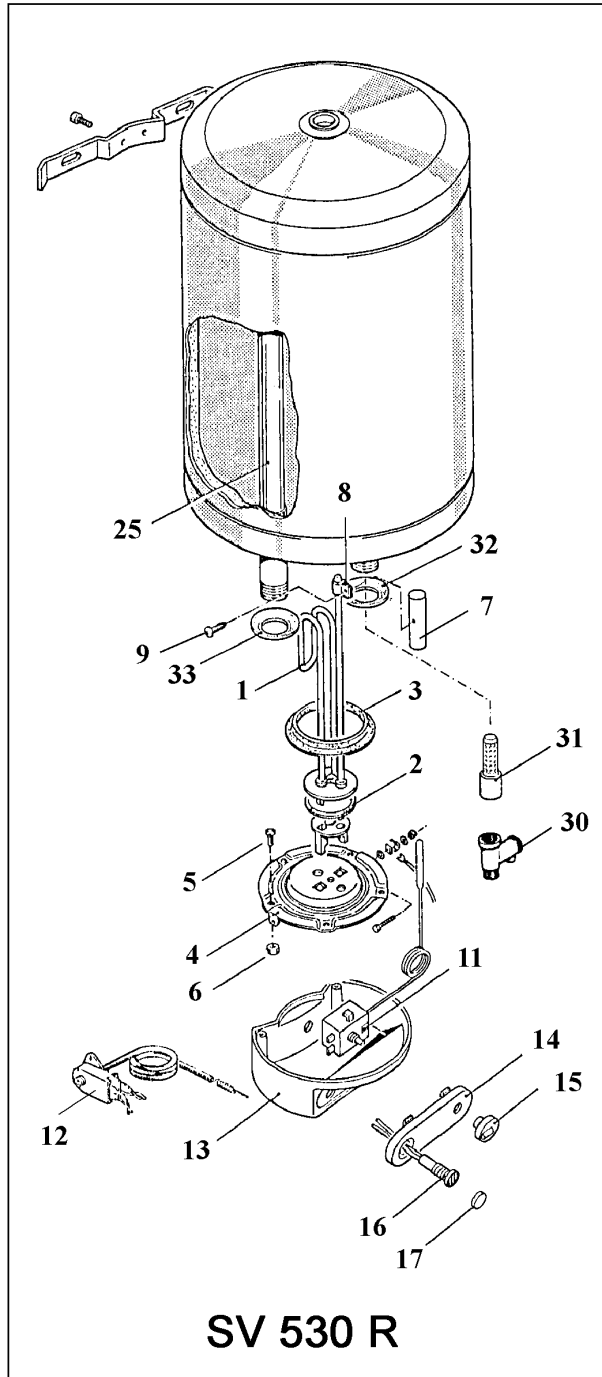
10 L - 15 L under sink

BAXI

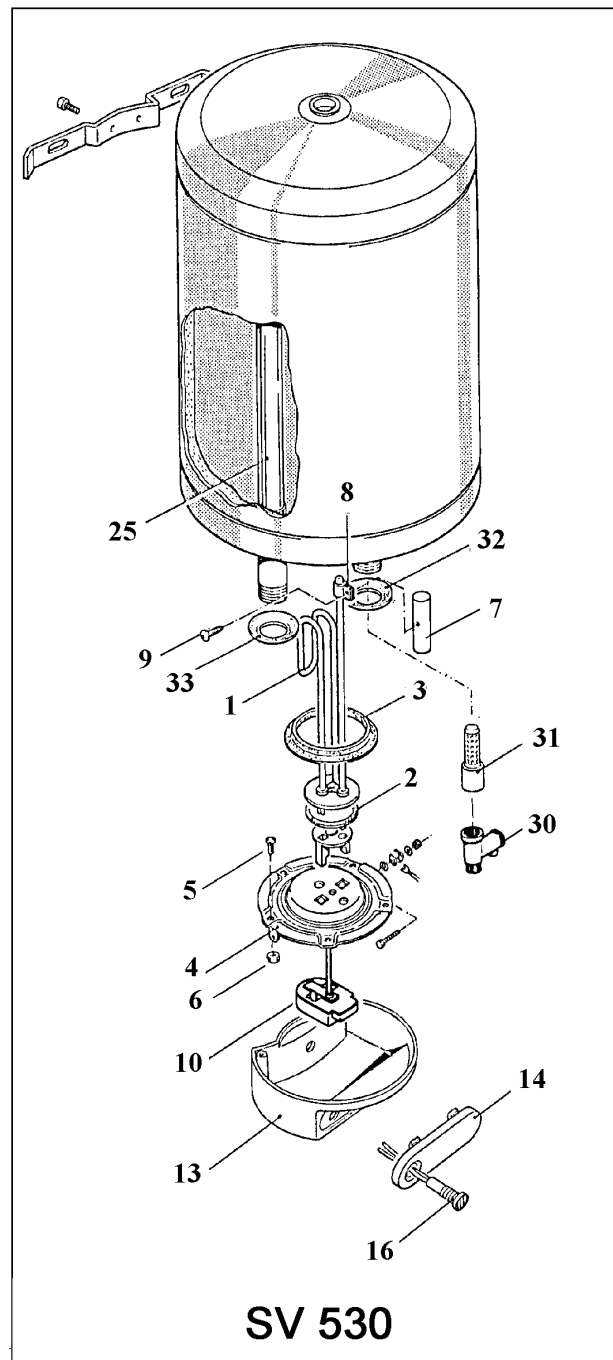


SR 501 SL - SR 515 SL

Tav. n° 5 30L with adjustable thermostat

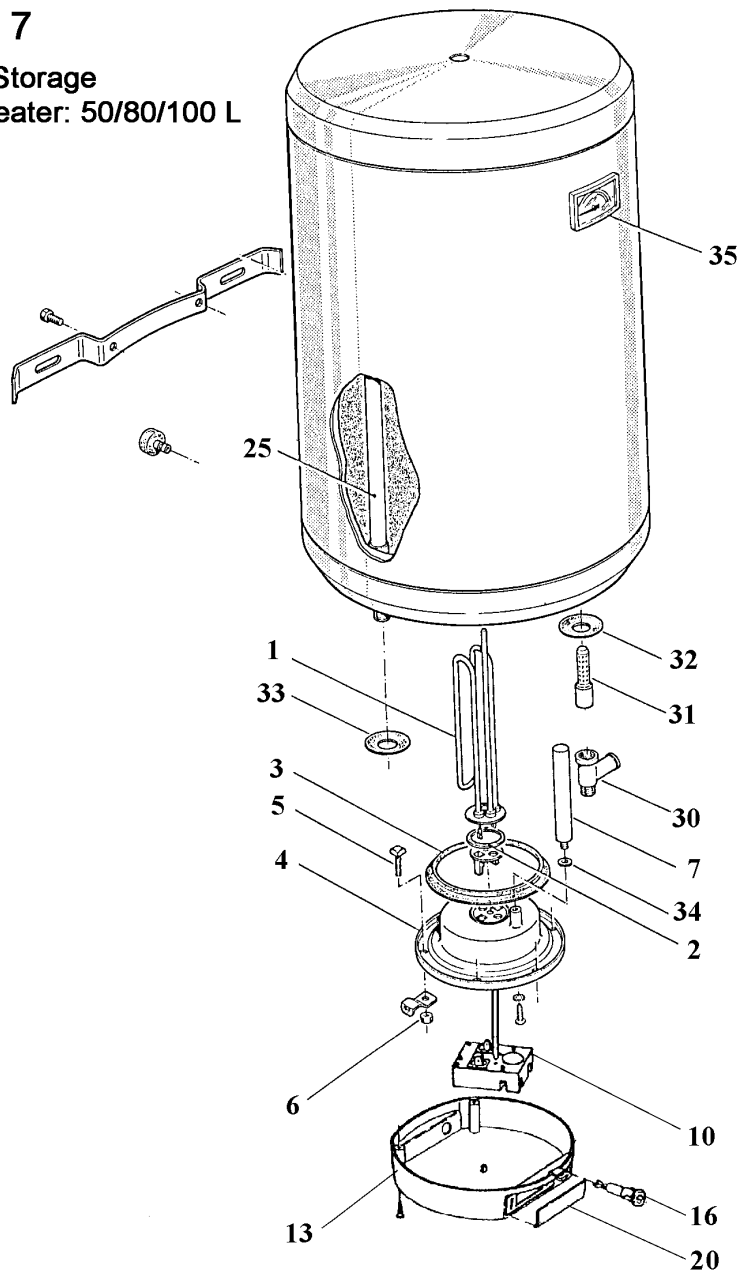


Tav. n° 6 30 L



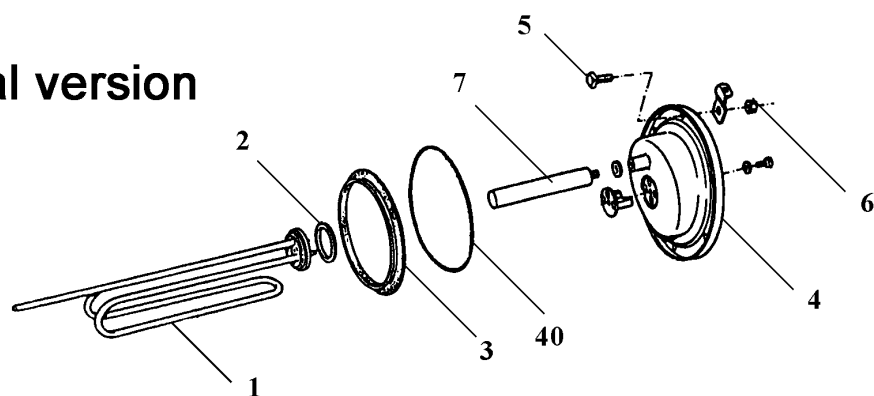
Tav. n° 7

Upright Storage
Water Heater: 50/80/100 L



Tav. n° 8

Horizontal version



SV 580/R 15
SV 580/R 15
SV 510/R 15

